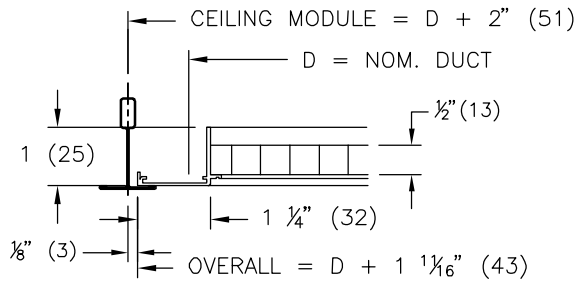
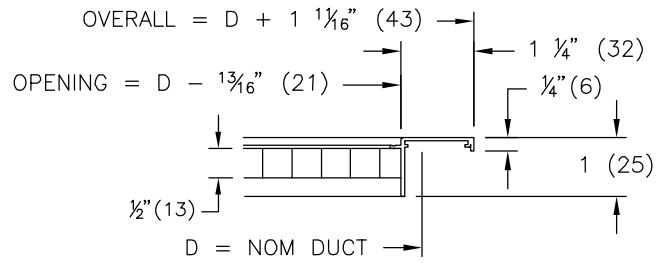


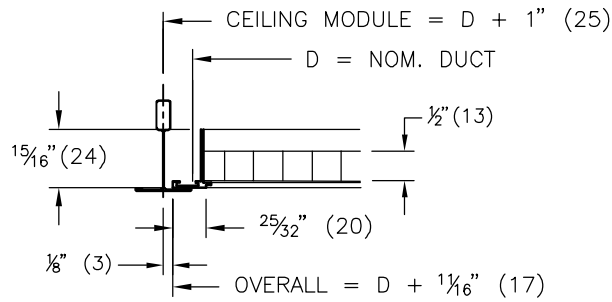
80 RETURN GRILLES & REGISTERS



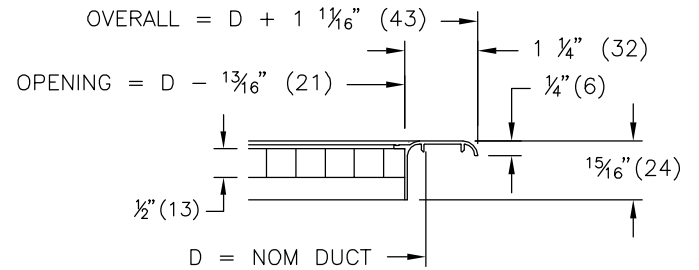
F - FLAT FACE BORDER (T-BAR LAYIN)



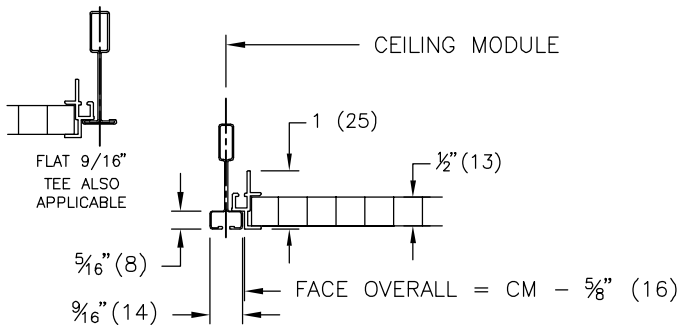
F - FLAT FACE BORDER (SURFACE MOUNT)



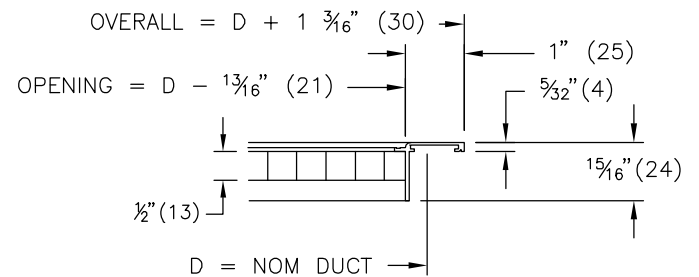
NF - NARROW FACE BORDER (T-BAR LAYIN)



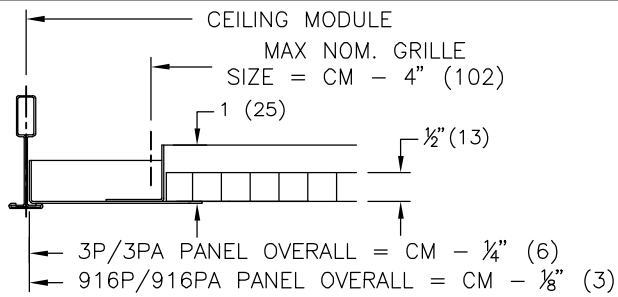
C - CURVED FACE BORDER (SURFACE MOUNT)



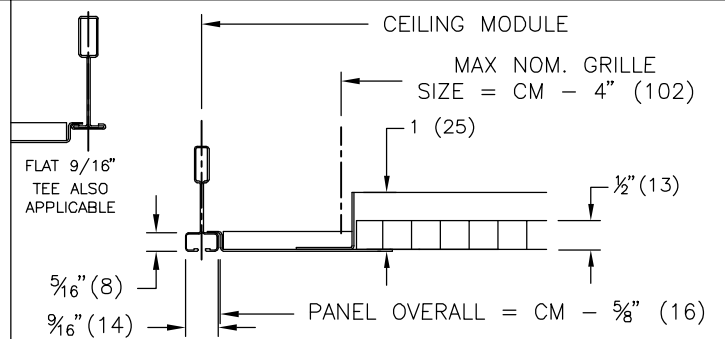
17 - 9/16\"/>



N - NARROW FLAT FACE BORDER (SURFACE MOUNT)



- 3P - STEEL PANEL FOR 1\"/>**



- 17P - STEEL PANEL, 9/16\"/>**

ALL METRIC DIMENSIONS () ARE SOFT CONVERTED. IMPERIAL DIMENSIONS ARE CONVERTED TO METRIC AND ROUNDED TO THE NEAREST MILLIMETER.

PROJECT:

ENGINEER:

CUSTOMER:

SUBMITTAL DATE:

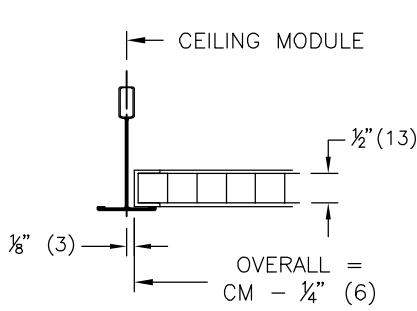
SPEC. SYMBOL:



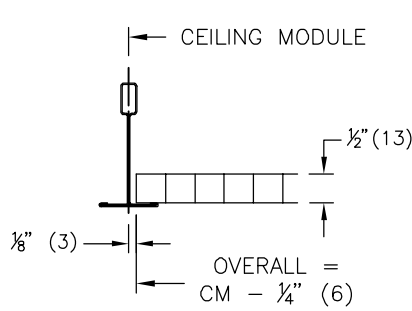
MG
222015

80 SERIES
ALUMINUM RETURN
GRILLES & REGISTERS

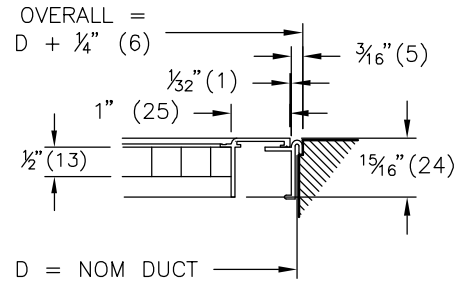
2015/12/03



CH - CHANNEL BORDER (T-BAR LAYIN)



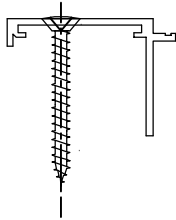
CORE - CORE ONLY (T-BAR LAYIN)



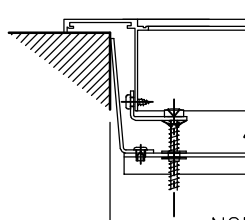
ED APPLICATION IS SUPPLIED COMPLETE WITH BORDER AND DUCT MOUNTING FRAME REQUIRES SELECTION OF TYPE 'H' OR TYPE 'C' MOUNTING

ED - EXPOSED DUCT BORDER

FASTENING

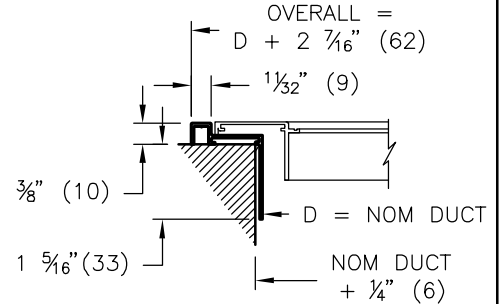


A - COUNTER SUNK SCREW
 H - STRAIGHT SCREW HOLES (ED FRAME ONLY)



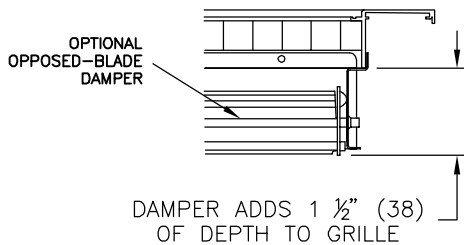
C - CONCEALED MOUNTING BRACKET
NOT AVAILABLE FOR MRI APPLICATIONS

MOUNTING FRAME



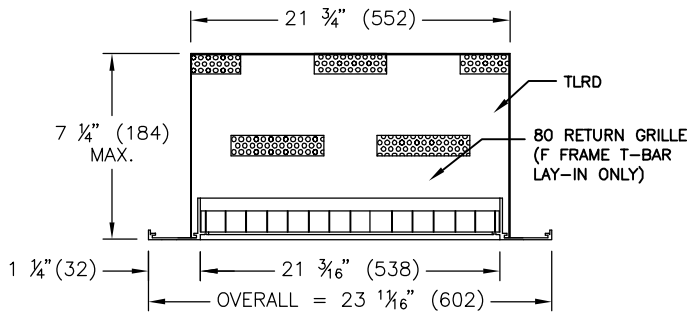
D (FOR F FRAME ONLY)
NOT AVAILABLE FOR MRI APPLICATIONS

OPPOSED BLADE DAMPER



VCS3 - COATED STEEL OPPOSED BLADE DAMPER
 VCS3AL - ALUMINUM OPPOSED BLADE DAMPER

THIN LINE RETURN DISSIPATER



TLRD OPTION (NOM. SIZE 22" X 22" AND F FRAME ONLY)
NOT AVAILABLE FOR MRI APPLICATIONS

ALL METRIC DIMENSIONS () ARE SOFT CONVERTED. IMPERIAL DIMENSIONS ARE CONVERTED TO METRIC AND ROUNDED TO THE NEAREST MILLIMETER.

FINISH:

• B12 WHITE (OPTIONAL FINISHES AVAILABLE)

MATERIAL:

• GRILLE - ALUMINUM CONSTRUCTION
 • PANEL - STEEL CONSTRUCTION (3P, 916P & 17P)
 - ALUMINUM CONSTRUCTION (3PA, 916PA & 17PA)

NOTES:

- AVAILABLE SIZES:
 MINIMUM - 6" X 4" (152 X 102)
 MAXIMUM WITHOUT MULLION - 48" X 24" (1219 X 610)
 MAXIMUM WITH MULLION - 96" X 48" (2438 X 1219)
- UNITS WITH MULLION SUPPLIED IN ONE-PIECE FRAME CONSTRUCTION
- UNITS OVER 96" X 48" (2438 X 1219) SUPPLIED IN SECTIONS c/w DUCT MOUNTING CHANNEL
- CH (CHANNEL FRAME) UNITS OVER 48" X 24" (1219 X 610) SUPPLIED IN MULTIPLE SECTIONS
- CORE ONLY & 17 FRAME MAX 48" X 24" (1219 X 610)
- FACTORY TOLERANCE ± 1/32" (1)

PANEL SIZES:

• MODULE SIZE AND NOM. GRILLE SIZE MUST BE SPECIFIED

NOMINAL MODULE SIZES	MAXIMUM GRILLE SIZES
12" x 12" - 300mm x 300mm	8" x 8"
24" x 12" - 600mm x 300mm	20" x 8"
24" x 24" - 600mm x 600mm	20" x 20"
48" x 24" - 1200mm x 600mm	44" x 20"

OPTIONAL:

• MRI - ALUMINUM CONSTRUCTION FOR MRI APPLICATIONS. F, 17, CH, CORE FRAMES ONLY. NOT AVAILABLE W/ DAMPER. MAXIMUM SIZE = 24" X 24" (610 X 610)

PROJECT:

ENGINEER:

CUSTOMER:

SUBMITTAL DATE:

SPEC. SYMBOL:

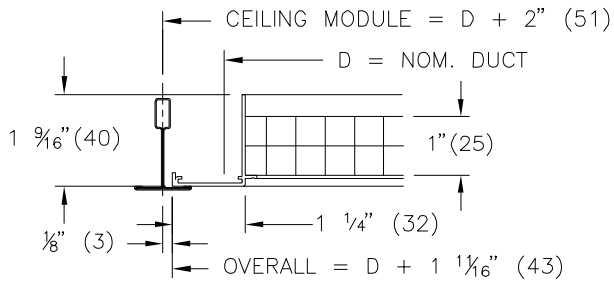


MG
222015

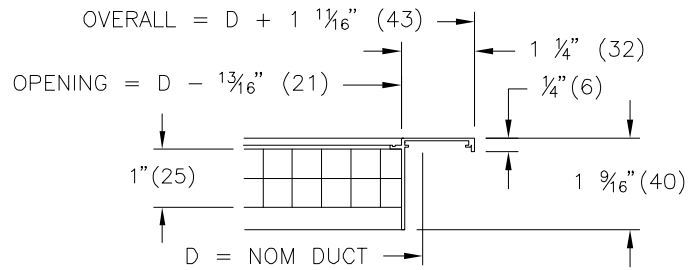
80 SERIES
ALUMINUM RETURN GRILLES & REGISTERS

2015/12/03

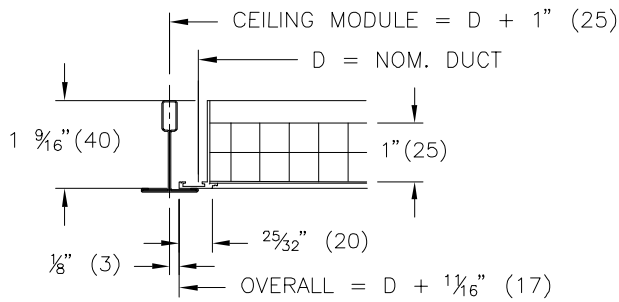
81 RETURN GRILLES & REGISTERS



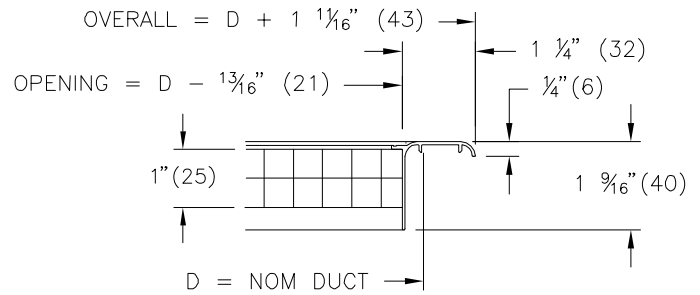
F - FLAT FACE BORDER (T-BAR LAYIN)



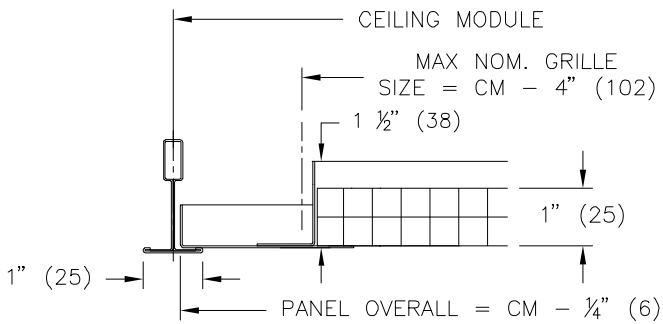
F - FLAT FACE BORDER (SURFACE MOUNT)



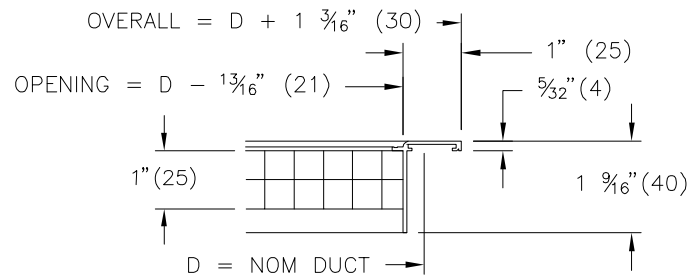
NF - NARROW FACE BORDER (T-BAR LAYIN)



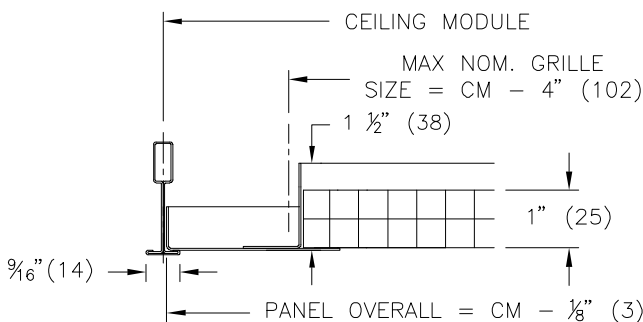
C - CURVED FACE BORDER (SURFACE MOUNT)



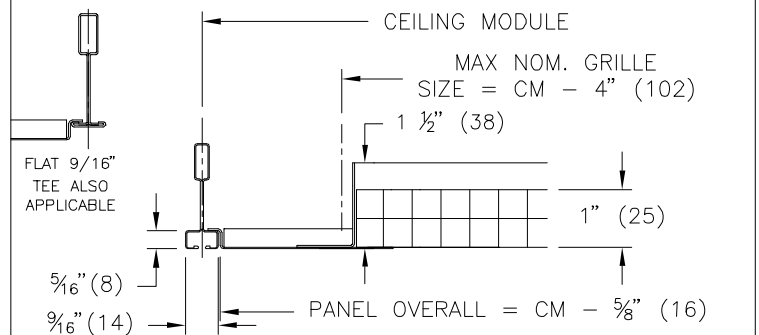
**3P - STEEL PANEL FOR 1\"/>
 3PA - ALUMINUM PANEL FOR 1\"/>**



N - NARROW FLAT FACE BORDER (SURFACE MOUNT)



**916P - STEEL PANEL FOR 9/16\"/>
 916PA - ALUMINUM PANEL FOR 9/16\"/>**



**17P - STEEL PANEL, 9/16\"/>
 17PA - ALUMINUM PANEL, 9/16\"/>**

ALL METRIC DIMENSIONS () ARE SOFT CONVERTED. IMPERIAL DIMENSIONS ARE CONVERTED TO METRIC AND ROUNDED TO THE NEAREST MILLIMETER.

PROJECT:

ENGINEER:

CUSTOMER:

SUBMITTAL DATE:

SPEC. SYMBOL:

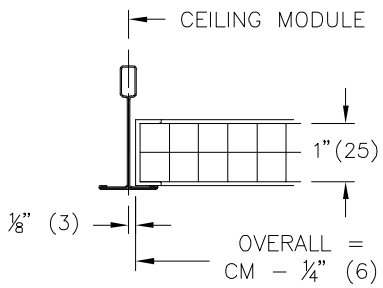


mg

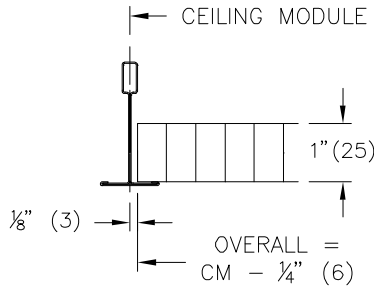
81 SERIES
ALUMINUM RETURN
GRILLES & REGISTERS

228140

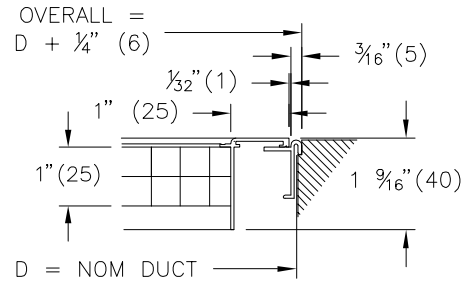
2015/03/24



CH - CHANNEL BORDER (T-BAR LAYIN)



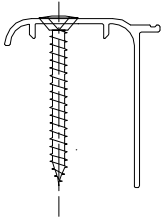
CORE - CORE ONLY (T-BAR LAYIN)



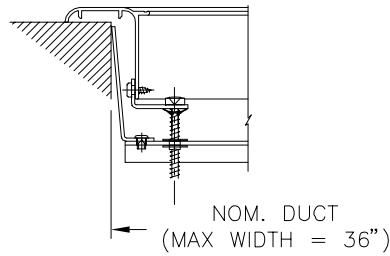
ED APPLICATION IS SUPPLIED COMPLETE WITH BORDER AND DUCT MOUNTING FRAME REQUIRES SELECTION OF TYPE 'H' OR TYPE 'C' MOUNTING

ED - EXPOSED DUCT BORDER

FASTENING

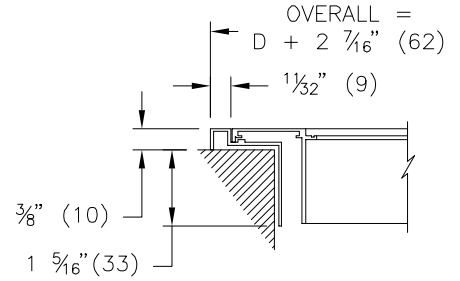


- A - COUNTER SUNK SCREW**
- H - STRAIGHT SCREW HOLES (ED FRAME ONLY)**



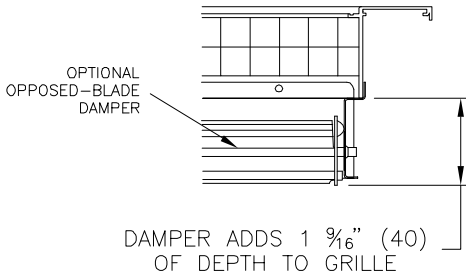
C - CONCEALED MOUNTING BRACKET

MOUNTING FRAME



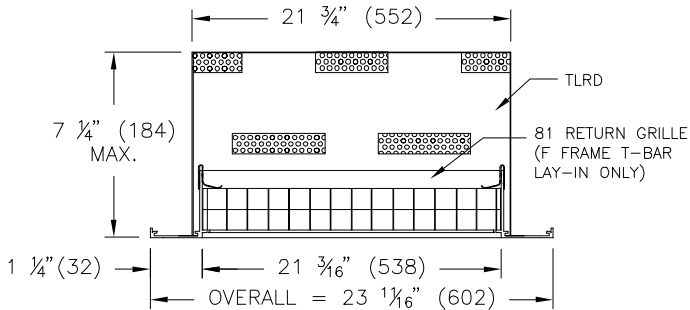
D (FOR F FRAME ONLY)

OPPOSED BLADE DAMPER



- VCS3 - COATED STEEL OPPOSED BLADE DAMPER**
- VCS3AL - ALUMINUM OPPOSED BLADE DAMPER**

THIN LINE RETURN DISSIPATER



TLRD OPTION (NOM. SIZE 22" X 22" AND F FRAME ONLY)

ALL METRIC DIMENSIONS () ARE SOFT CONVERTED. IMPERIAL DIMENSIONS ARE CONVERTED TO METRIC AND ROUNDED TO THE NEAREST MILLIMETER.

FINISH:

B12 WHITE (OPTIONAL FINISHES AVAILABLE)

MATERIAL:

- GRILLE - ALUMINUM CONSTRUCTION
- PANEL - STEEL CONSTRUCTION (3P, 916P & 17P) - ALUMINUM CONSTRUCTION (3PA, 916PA & 17PA)

NOTES:

- OPTIONAL SINGLE PIECE CORE (STANDARD FOR CORE ONLY)
- AVAILABLE SIZES:
 - MINIMUM - 6" X 4" (152 X 102)
 - MAXIMUM WITHOUT MULLION - 48" X 24" (1219 X 610)
 - MAXIMUM WITH MULLION - 96" X 48" (2438 X 1219)
- UNITS WITH MULLION SUPPLIED IN ONE-PIECE FRAME CONSTRUCTION
- UNITS OVER 96" X 48" (2438 X 1219) SUPPLIED IN SECTIONS c/w DUCT MOUNTING CHANNEL
- CH (CHANNEL FRAME) UNITS OVER 48" X 24" (1219 X 610) SUPPLIED IN MULTIPLE SECTIONS
- CORE ONLY UNITS MAXIMUM 48" X 24" (1219 X 610)
- **PANEL SIZES:**
 - MODULE SIZE AND NOM. GRILLE SIZE MUST BE SPECIFIED

NOMINAL MODULE SIZES	MAXIMUM GRILLE SIZES
12" x 12" - 300mm x 300mm	8" x 8"
24" x 12" - 600mm x 300mm	20" x 8"
24" x 24" - 600mm x 600mm	20" x 20"
48" x 24" - 1200mm x 600mm	44" x 20"

• FACTORY TOLERANCE ± 1/32" (1)

PROJECT:

ENGINEER:

CUSTOMER:

SUBMITTAL DATE:

SPEC. SYMBOL:



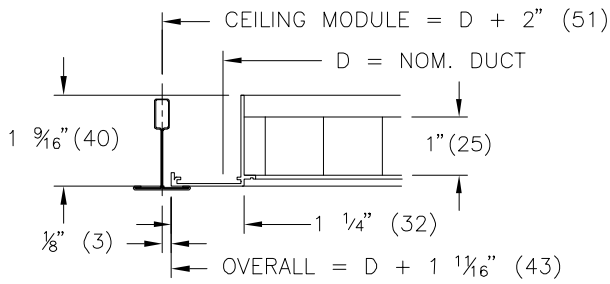
mg

228140

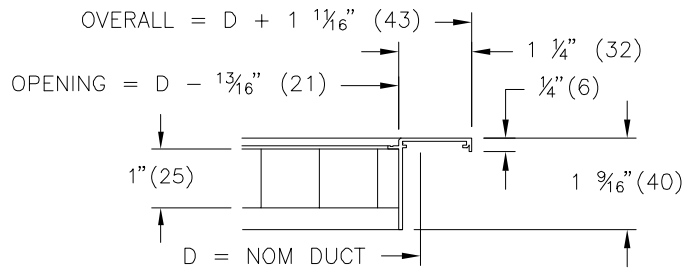
2015/03/24

81 SERIES
ALUMINUM RETURN
GRILLES & REGISTERS

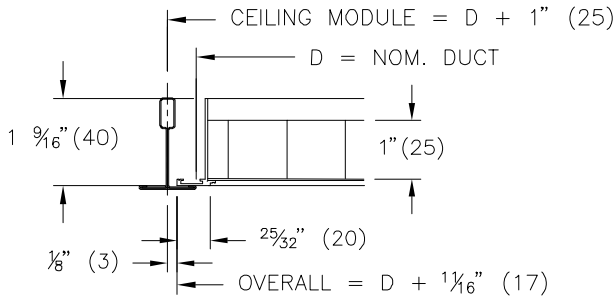
82 RETURN GRILLES & REGISTERS



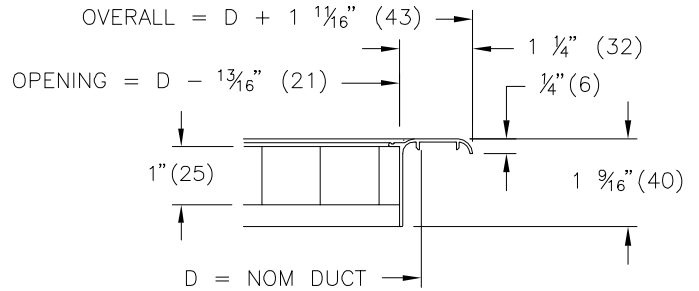
F - FLAT FACE BORDER (T-BAR LAYIN)



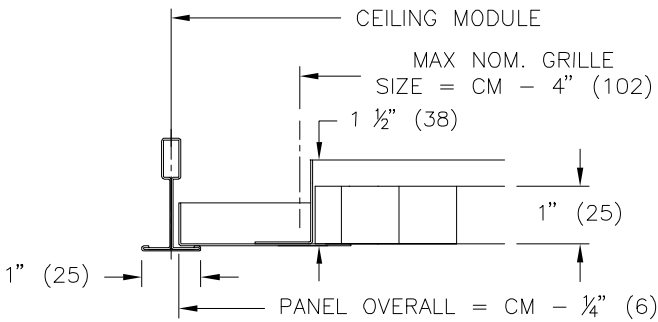
F - FLAT FACE BORDER (SURFACE MOUNT)



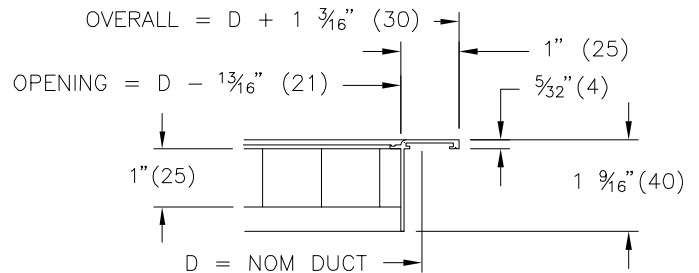
NF - NARROW FACE BORDER (T-BAR LAYIN)



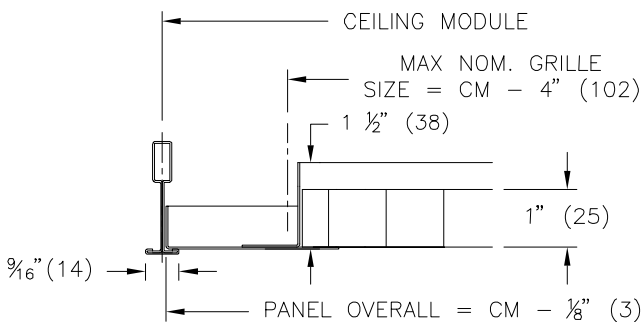
C - CURVED FACE BORDER (SURFACE MOUNT)



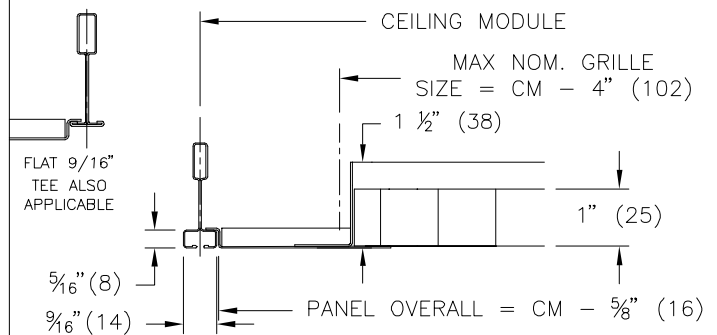
3P - STEEL PANEL FOR 1" FLAT TEE BAR
 3PA - ALUMINUM PANEL FOR 1" FLAT TEE BAR



N - NARROW FLAT FACE BORDER (SURFACE MOUNT)



916P - STEEL PANEL FOR 9/16" FLAT TEE BAR
 916PA - ALUMINUM PANEL FOR 9/16" FLAT TEE BAR



17P - STEEL PANEL, 9/16" FINELINE OR FLAT TEE BAR
 17PA - ALUMINUM PANEL, 9/16" FINELINE OR FLAT TEE BAR

ALL METRIC DIMENSIONS () ARE SOFT CONVERTED. IMPERIAL DIMENSIONS ARE CONVERTED TO METRIC AND ROUNDED TO THE NEAREST MILLIMETER.

PROJECT:

ENGINEER:

CUSTOMER:

SUBMITTAL DATE:

SPEC. SYMBOL:



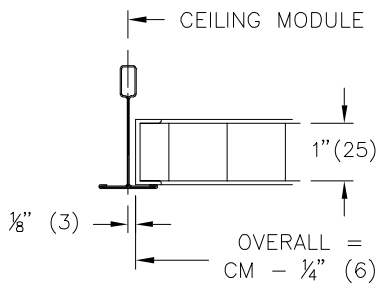
MG

82 SERIES

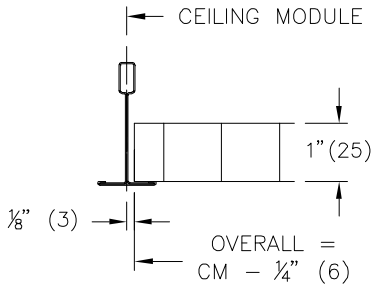
ALUMINUM RETURN GRILLES & REGISTERS

228141

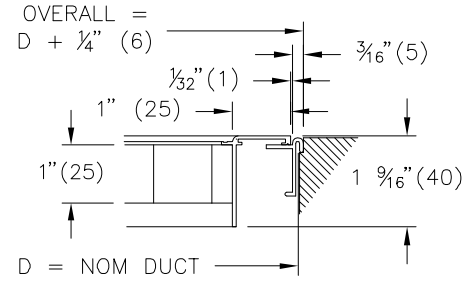
2015/05/07



CH - CHANNEL BORDER (T-BAR LAYIN)



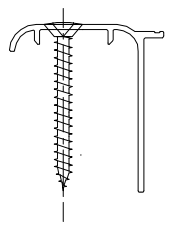
CORE - CORE ONLY (T-BAR LAYIN)



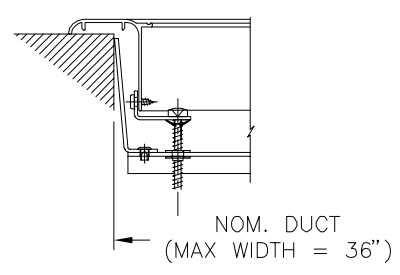
ED APPLICATION IS SUPPLIED COMPLETE WITH BORDER AND DUCT MOUNTING FRAME REQUIRES SELECTION OF TYPE 'H' OR TYPE 'C' MOUNTING

ED - EXPOSED DUCT BORDER

FASTENING

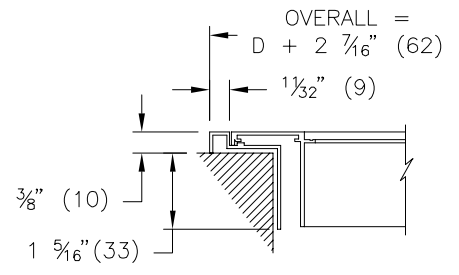


A - COUNTER SUNK SCREW
 H - STRAIGHT SCREW HOLES (ED FRAME ONLY)



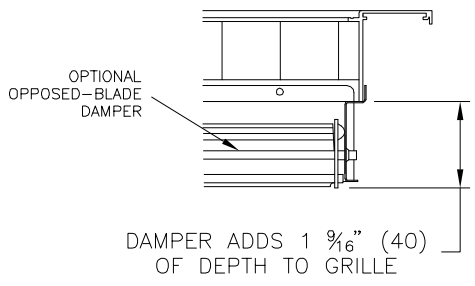
C - CONCEALED MOUNTING BRACKET

MOUNTING FRAME



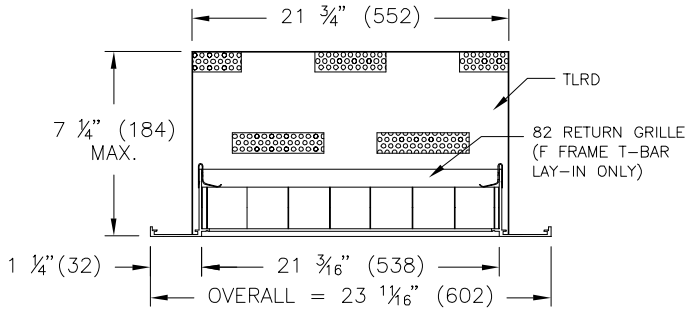
D (FOR F FRAME ONLY)

OPPOSED BLADE DAMPER



VCS3 - COATED STEEL OPPOSED BLADE DAMPER
 VCS3AL - ALUMINUM OPPOSED BLADE DAMPER

THIN LINE RETURN DISSIPATER



TLRD OPTION (NOM. SIZE 22" X 22" AND F FRAME ONLY)

ALL METRIC DIMENSIONS () ARE SOFT CONVERTED. IMPERIAL DIMENSIONS ARE CONVERTED TO METRIC AND ROUNDED TO THE NEAREST MILLIMETER.

FINISH:

B12 WHITE (OPTIONAL FINISHES AVAILABLE)

MATERIAL:

- GRILLE - ALUMINUM CONSTRUCTION
- PANEL - STEEL CONSTRUCTION (3P, 916P & 17P) - ALUMINUM CONSTRUCTION (3PA, 916PA & 17PA)

NOTES:

- AVAILABLE SIZES:
 MINIMUM - 6" X 4" (152 X 102)
 MAXIMUM WITHOUT MULLION - 48" X 24" (1219 X 610)
 MAXIMUM WITH MULLION - 96" X 48" (2438 X 1219)
- UNITS WITH MULLION SUPPLIED IN ONE-PIECE FRAME CONSTRUCTION
- UNITS OVER 96" X 48" (2438 X 1219) SUPPLIED IN SECTIONS c/w DUCT MOUNTING CHANNEL
- CH (CHANNEL FRAME) UNITS OVER 48" X 24" (1219 X 610) SUPPLIED IN MULTIPLE SECTIONS
- CORE ONLY UNITS MAXIMUM 48" X 24" (1219 X 610)

PANEL SIZES:

- MODULE SIZE AND NOM. GRILLE SIZE MUST BE SPECIFIED

NOMINAL MODULE SIZES	MAXIMUM GRILLE SIZES
12" x 12" - 300mm x 300mm	8" x 8"
24" x 12" - 600mm x 300mm	20" x 8"
24" x 24" - 600mm x 600mm	20" x 20"
48" x 24" - 1200mm x 600mm	44" x 20"

- FACTORY TOLERANCE ± 1/32" (1)

PROJECT:

ENGINEER:

CUSTOMER:

SUBMITTAL DATE:

SPEC. SYMBOL:



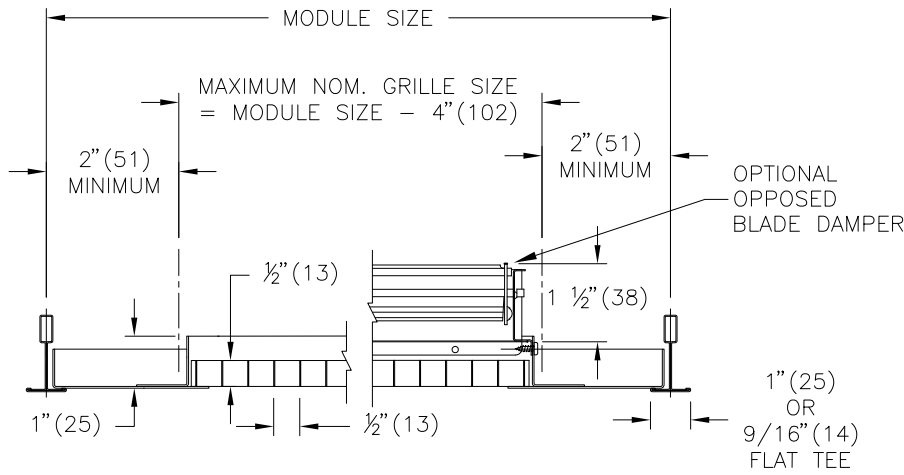
MS

228141

2015/05/07

82 SERIES
 ALUMINUM RETURN
 GRILLES & REGISTERS

80 PANEL MOUNTED RETURN AIR GRILLE



MATERIAL:

- GRILLE: ALUMINUM CONSTRUCTION
- PANEL: STEEL CONSTRUCTION (3P, 916P & 17P)
ALUMINUM CONSTRUCTION (3PA, 916PA & 17PA)

FINISH:

- FINISH OF PANEL TO MATCH GRILLE FINISH
- B12 WHITE
(OPTIONAL FINISHES AVAILABLE)

OPTION:

- 80DAL c/w ALUMINUM OPPOSED BLADE DAMPER MILL FINISH
- 80D c/w STEEL OPPOSED BLADE DAMPER

NOTES:

- MODULE SIZE AND NOM. GRILLE SIZE MUST BE SPECIFIED

NOMINAL MODULE SIZES	MAXIMUM GRILLE SIZES
12" x 12" - 300mm x 300mm	8" x 8"
24" x 12" - 600mm x 300mm	20" x 8"
24" x 24" - 600mm x 600mm	20" x 20"
48" x 24" - 1200mm x 600mm	44" x 20"

- FACTORY TOLERANCE $\pm 1/32$ " (1)

ALL METRIC DIMENSIONS () ARE SOFT CONVERTED. IMPERIAL DIMENSIONS ARE CONVERTED TO METRIC AND ROUNDED TO THE NEAREST MILLIMETER.

3P T-BAR
 3PA

PANEL OVERALL = CM - 1/4" (6)

916P T-BAR
 916PA

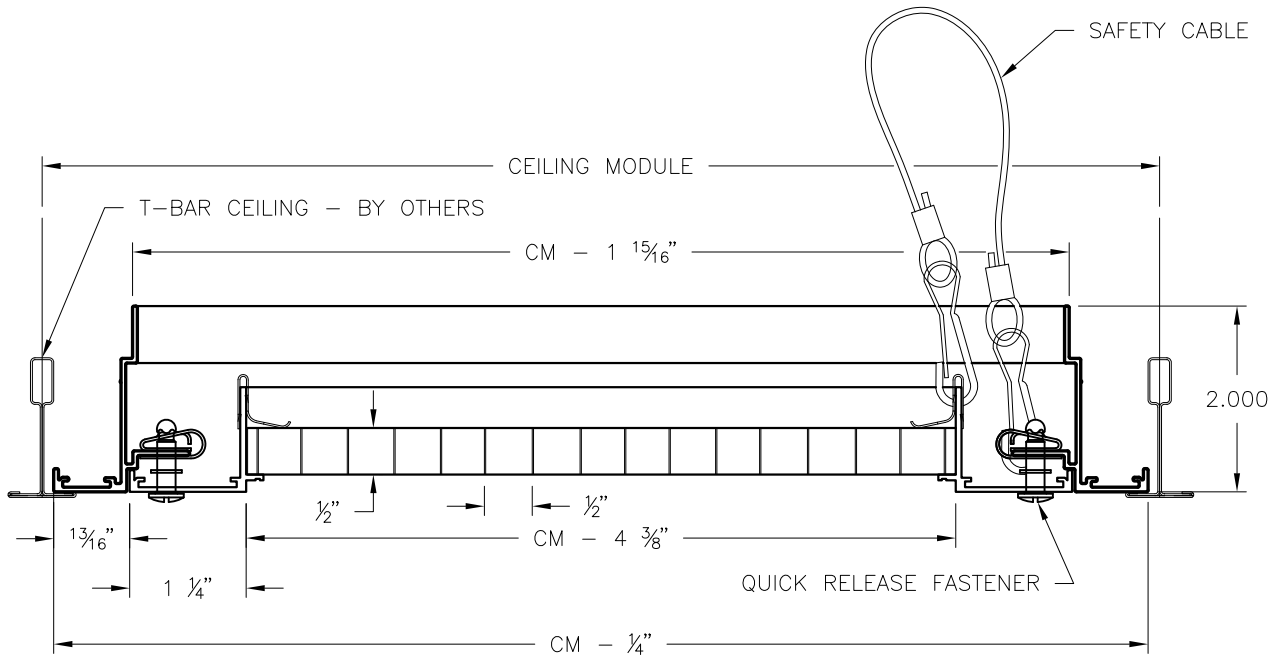
PANEL OVERALL = CM - 1/8" (3)

17P FINELINE T-BAR
 17PA

PANEL OVERALL = CM - 5/8" (16)

PROJECT:		PRICE [®]	
ENGINEER:			80 PANEL MOUNTED 80 SERIES RETURN AIR GRILLES
CUSTOMER:		222064	
SUBMITTAL DATE:	SPEC. SYMBOL:	2011/10/13	

MODEL 80 WITH QR BORDER - QUICK RELEASE RETURN AIR GRILLE



AVAILABLE MODULE SIZES

<input type="checkbox"/> 48 x 24
<input type="checkbox"/> 24 x 24
<input type="checkbox"/> 24 x 12
<input type="checkbox"/> 24 x 8
<input type="checkbox"/> 22 x 22
<input type="checkbox"/> 20 x 20
<input type="checkbox"/> 16 x 16

NOTE:

- FACTORY TOLERANCE ± .031.
- 1/4 TURN QUICK RELEASE FASTENERS.
- SAFETY CABLES INCLUDED
- CEILING MODULE IS ORDERED SIZE

FINISH:

- B12 WHITE POWDER COAT.
- FASTENERS: BRIGHT PLATED STEEL.

MATERIAL:

- FRAMES: EXTRUDED ALUMINUM.
- CORE: ALUMINUM 80 CORE.

PROJECT:



ENGINEER:

Handwritten signature

CUSTOMER:

250575

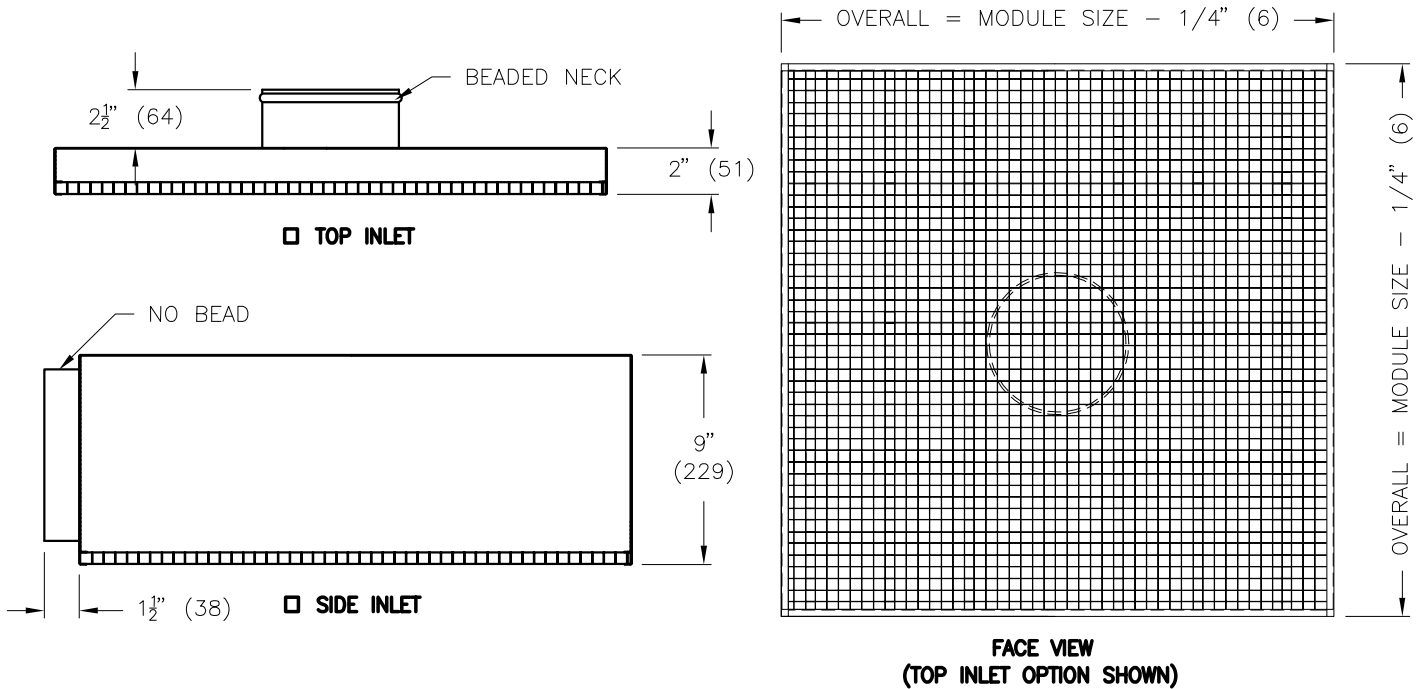
SUBMITTAL DATE:

SPEC. SYMBOL:

2014/09/02

80
RETURN AIR GRILLE
T-BAR APPLICATION
QUICK RELEASE FASTENERS
QR BORDER

80SR EGG CRATE CORE WITH INTEGRATED PLENUM



IMPERIAL

MODULE SIZE	HEIGHT	OVERALL	AVAIL. INLET SIZES	INLET LOCATION
24x24 (610X610)	2	23 ³ / ₄ x 23 ³ / ₄ (603x603)	6, 8, 10, 12, 14, 16	TOP
24x12 (610X305)	2	23 ³ / ₄ x 11 ³ / ₄ (603x298)	6, 8, 10	TOP
24x24 (610X610)	9	23 ³ / ₄ x 23 ³ / ₄ (603x603)	6 ROUND 8, 10, 12, 14, 16 OVAL	SIDE
24x12 (610X305)	9	23 ³ / ₄ x 11 ³ / ₄ (603x298)	6 ROUND 8, 10 OVAL	SIDE

FINISH:

- PREPAINTED BLACK PLENUM
- CORE: B12 WHITE, OPTIONAL COLORS AVAILABLE

NOTES:

- BEADED NECK IS STANDARD ON TOP INLETS
- OVAL EQUIVALENT:
 8" (203) = 6" x 8.937" (152x227)
 10" (254) = 6" x 12.078" (152x307)
 12" (305) = 6" x 15.218" (152x387)
 14" (356) = 6" x 18.359" (152x466)
 16" (406) = 6" x 21.500" (152x546)

OPTIONS

- MODULE SIZE 24X24
- MODULE SIZE 24X12
- TOP INLET WITH 2" TALL PLENUM
- SIDE INLET WITH 9" TALL PLENUM
(INLET ON LONG SIDE OF RECTANGULAR UNIT)
- AFI EXTERNAL ALUMINUM FOIL BACKED INSULATION
- RF - REMOVABLE FACE (SEE PAGE 2 OF 2)

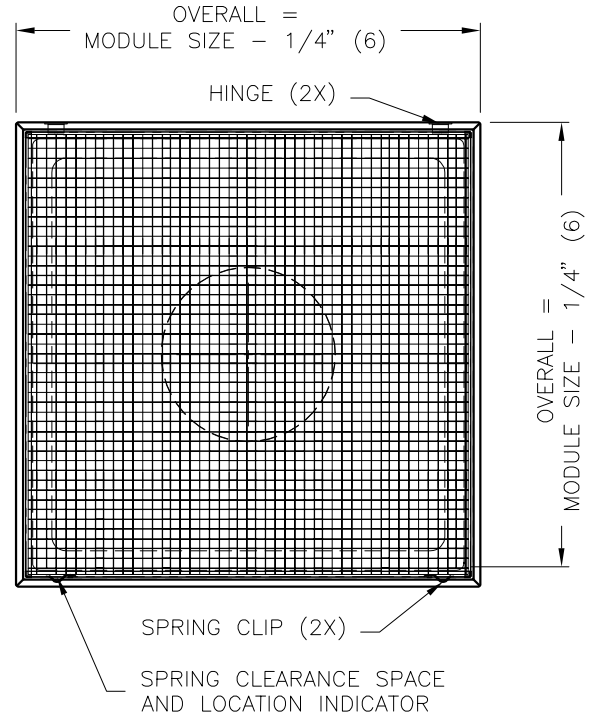
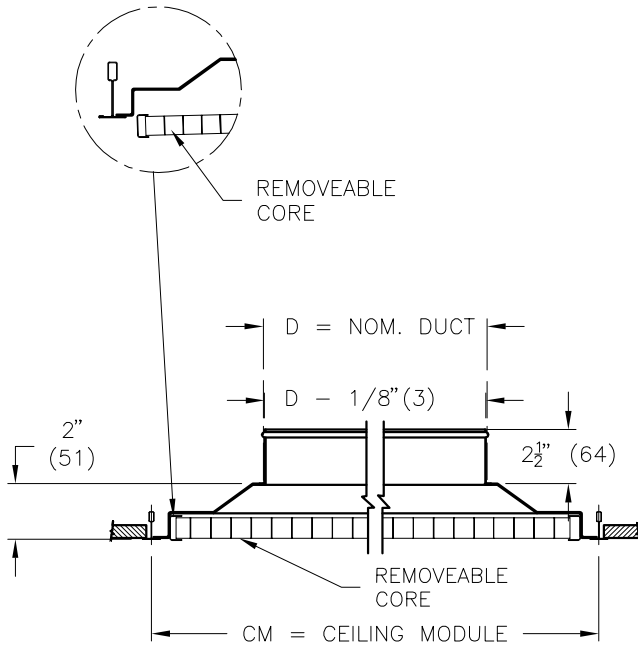
MATERIAL:

- 24 GAUGE STEEL PLENUM
- 1/2 X 1/2 X 1/2" ALUMINUM EGG CRATE CORE

ALL METRIC DIMENSIONS () ARE SOFT CONVERTED. IMPERIAL DIMENSIONS ARE CONVERTED TO METRIC AND ROUNDED TO THE NEAREST MILLIMETER.

PROJECT:		PRICE [®]	
ENGINEER:		<i>MQ</i>	80SR EGG GRATE CORE WITH INTEGRATED PLENUM
CUSTOMER:		258867	
SUBMITTAL DATE:	SPEC. SYMBOL:	2013/01/31	

**80SR EGG CRATE CORE WITH INTEGRATED PLENUM
(REMOVABLE FACE)**



FACE VIEW

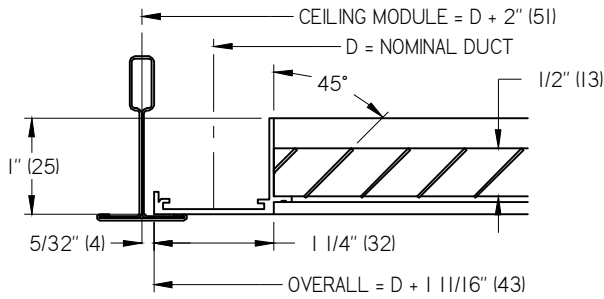
IMPERIAL

MODULE SIZE	HEIGHT	OVERALL	AVAIL. INLET SIZES	INLET LOCATION
24x24 (610x610)	2	23 3/4 x 23 3/4 (603x603)	6, 8, 10, 12, 14, 16	TOP
24x12 (610x305)	2	23 3/4 x 11 3/4 (603x298)	6	TOP

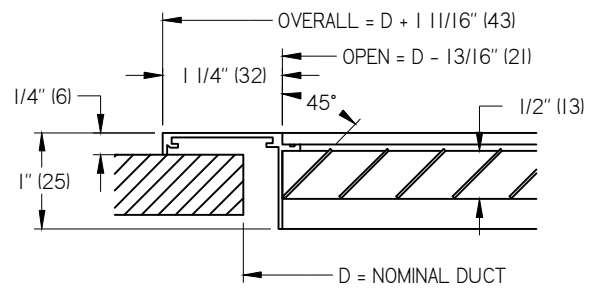
ALL METRIC DIMENSIONS () ARE SOFT CONVERTED. IMPERIAL DIMENSIONS ARE CONVERTED TO METRIC AND ROUNDED TO THE NEAREST MILLIMETER.

PROJECT:		price [®]	
ENGINEER:		<i>MG</i>	80SR EGG GRATE CORE WITH INTEGRATED PLENUM (REMOVABLE FACE)
CUSTOMER:		258867	
SUBMITTAL DATE:	SPEC. SYMBOL:	2013/01/31	

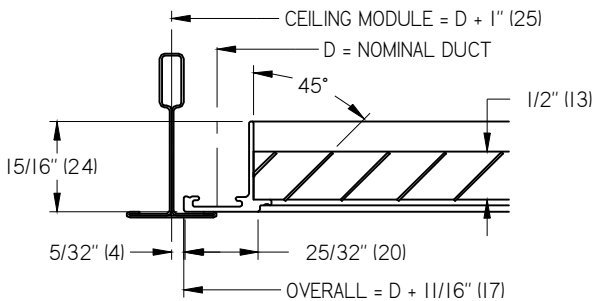
85 RETURN GRILLES



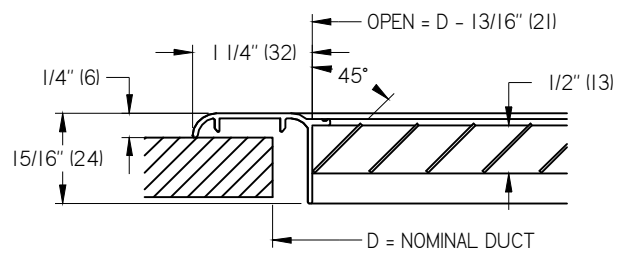
□ F - FLAT FACE BORDER (LAY-IN APPLICATION)



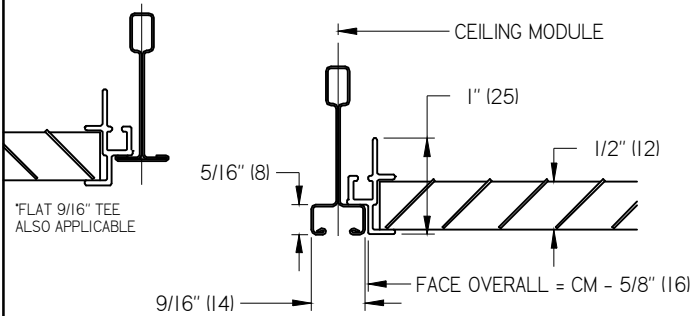
□ F - FLAT FACE BORDER (SURFACE MOUNT APPLICATION)



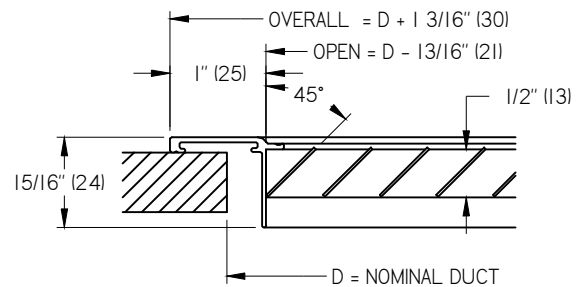
□ NF - NARROW FACE BORDER (LAY-IN APPLICATION)



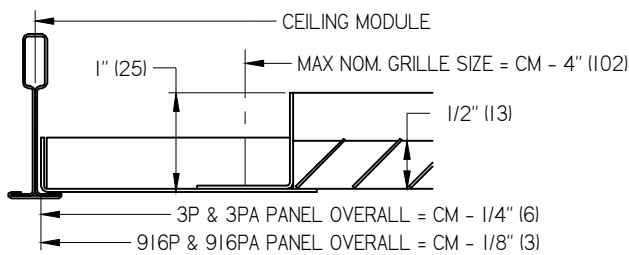
□ C - CURVED FACE BORDER (SURFACE MOUNT APPLICATION)



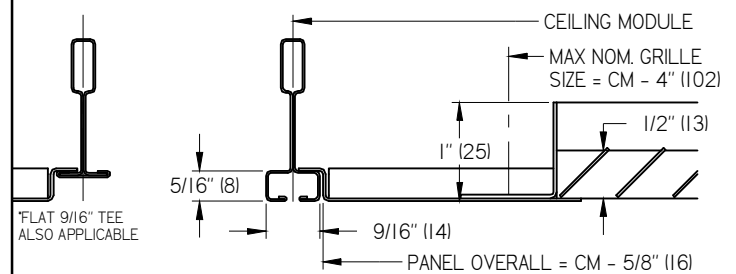
□ 17 - 9/16" BOLT SLOT OR FLAT TEE



□ N - FLAT FACE BORDER (SURFACE MOUNT APPLICATION)



- 3P - STEEL PANEL FOR 1" FLAT TEE BAR
- 3PA - ALUMINUM PANEL FOR 1" FLAT TEE BAR
- 916P - STEEL PANEL FOR 9/16" FLAT TEE BAR
- 916PA - ALUMINUM PANEL FOR 9/16" FLAT TEE BAR

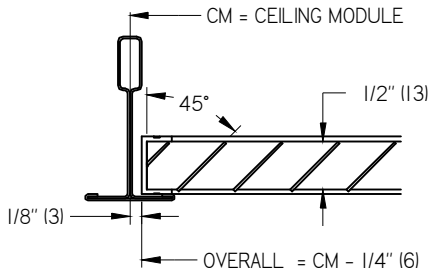


- 17P - STEEL PANEL FOR 9/16" FINELINE OR FLAT TEGULAR TEE BAR
- 17PA - ALUMINUM PANEL FOR 9/16" FINELINE OR FLAT TEGULAR TEE BAR

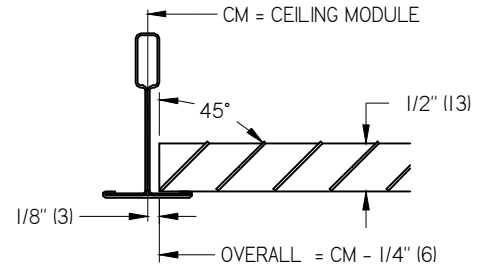
ALL METRIC DIMENSIONS () ARE SOFT CONVERTED. IMPERIAL DIMENSIONS ARE CONVERTED TO METRIC AND ROUNDED TO THE NEAREST MILLIMETER.

PROJECT:		PRICE
ENGINEER:		
CUSTOMER:		<i>MG</i>
SUBMITTAL DATE:		266215
SPEC. SYMBOL:		2016/06/09
		85 SERIES ALUMINUM SIGHT-RESISTANT RETURN GRILLES

85 RETURN GRILLES



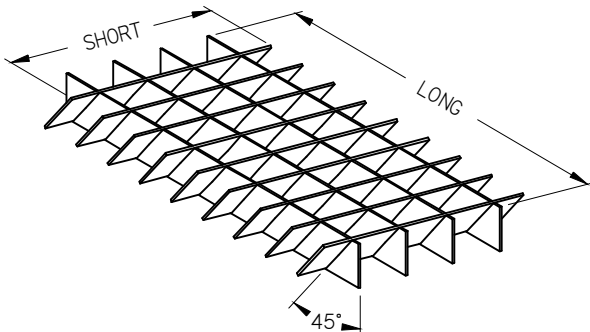
CH - CHANNEL BORDER (LAY-IN APPLICATION)



CORE - CORE ONLY (LAY-IN APPLICATION)

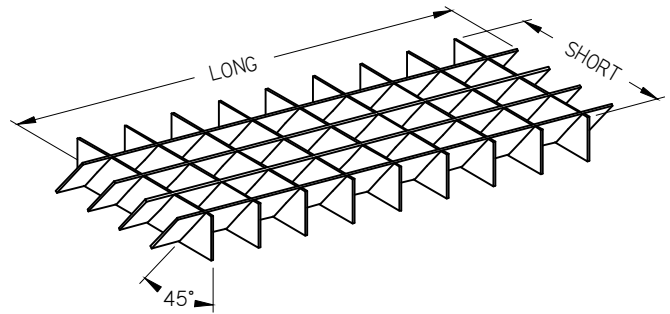
CORE PATTERN

S - SIGHT RESISTANT PARALLEL TO SHORT DIMENSION



MAXIMUM DUCT SIZE = 24" X 24" (610 X 610)

L - SIGHT RESISTANT PARALLEL TO LONG DIMENSION

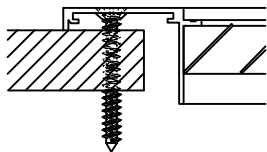


MAXIMUM DUCT SIZE = 48" X 24" (1219 X 610)

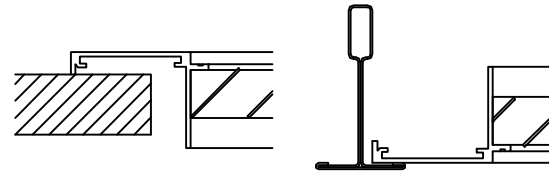
A - COUNTERSUNK SCREW

FASTENING

O - NO FASTENING



SURFACE MOUNT ONLY



F FRAMES ILLUSTRATED

MATERIAL:

- FRAME: ALUMINUM CONSTRUCTION
- EGG CRATE CORE: ALUMINUM CONSTRUCTION, 19/32" x 19/32" x 1/2" [15 x 15 x 13] GRID
- PANEL: STEEL CONSTRUCTION (3P, 916P & 17P) ALUMINUM CONSTRUCTION (3PA, 916PA & 17PA)

FINISH:

- B12 WHITE (OPTIONAL FINISHES AVAILABLE)

NOTES:

- TYPE A FASTENING - COUNTERSUNK SCREW HOLES FOR NO.8 S.M.S. PER FACTORY STANDARD (SCREWS SUPPLIED)
- AVAILABLE SIZES FOR SIGHT RESISTANT PARALLEL TO SHORT
 - MINIMUM DUCT SIZE = 6" X 4" (152 X 102)
 - MINIMUM DUCT SIZE NF FRAME = 6" X 3" (152 X 76)
 - MAXIMUM DUCT SIZE (ALL FRAMES) = 24" X 24" (610 X 610)
- AVAILABLE SIZES FOR SIGHT RESISTANT PARALLEL TO LONG
 - MINIMUM DUCT SIZE = 6" X 4" (152 X 102)
 - MINIMUM DUCT SIZE NF FRAME = 6" X 3" (152 X 76)
 - MAXIMUM DUCT SIZE (ALL FRAMES) = 48" X 24" (1219 X 610)
- FACTORY TOLERANCE +/- 1/32" (1)

FINISH:

- MRI - ALUMINUM CONSTRUCTION FOR MRI APPLICATIONS. F, 17, CH & CORE FRAMES ONLY.

ALL METRIC DIMENSIONS () ARE SOFT CONVERTED. IMPERIAL DIMENSIONS ARE CONVERTED TO METRIC AND ROUNDED TO THE NEAREST MILLIMETER.

MAX ALLOWABLE GRILLE SIZE FOR PANEL FRAMES	
NOMINAL MODULE SIZES	MAXIMUM GRILLE SIZES
12" x 12" - 300mm x 300mm	8" x 8"
24" x 12" - 600mm x 300mm	20" x 8"
24" x 24" - 600mm x 600mm	20" x 20"
48" x 24" - 1200mm x 600mm	44" x 20"

PROJECT:

ENGINEER:

CUSTOMER:

SUBMITTAL DATE:

SPEC. SYMBOL:



MG
266215

85 SERIES
ALUMINUM
SIGHT-RESISTANT
RETURN GRILLES